

Section J

Corrosion-Resistant Devices

INDEX

PAGE

Product Features

Corrosion-Resistant Devices J-2

Corrosion-Resistant Straight Blade Devices

15 and 20 Amp 125V; 2-Pole 3-Wire Grounding J-3

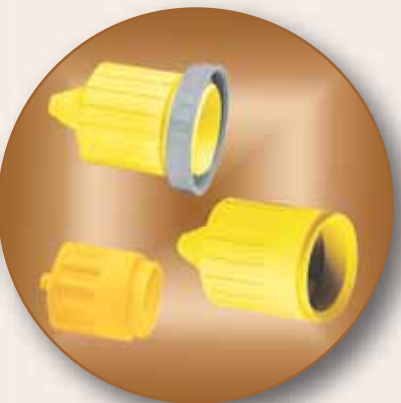
15 and 20 Amp 250V; 2-Pole 3-Wire Grounding J-3

Corrosion-Resistant Locking Devices

15 Amp 125V; 2-Pole 3-Wire Grounding J-4

20 Amp 125V; 2-Pole 3-Wire Grounding J-5

30 Amp 125V; 2-Pole 3-Wire Grounding J-6



Corrosion-Resistant Devices

Product Features



Bryant offers a complete line of corrosion-resistant devices for industrial, commercial and marine applications. Available in locking and straight blade configurations. Each device is designed to provide extra protection in corrosive conditions such as food processing plants, breweries, dairies, chemical plants, metal fabrication facilities, marine/shipboard and temporary power applications. Bryant corrosion-resistant devices are engineered with materials such

as impact/chemical resistant nylon, to provide strength and resistance to chemicals such as hydrocarbons and solvents typically found in industrial environments. Brass and copper-alloy metal parts are nickel-plated to resist corrosion and oxidation which can occur in salt air/water environments. Weather-protective boots and outdoor plates provide additional protection against infiltration of contaminants. Corrosion-resistant devices are molded of high visibility yellow nylon for easy identification.

Locking Receptacle

Stainless steel mounting screws resist corrosion

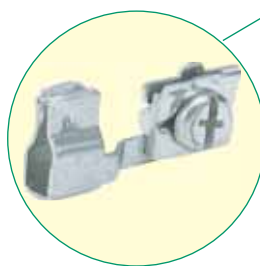
Nickel and tin plated copper-alloy contacts and terminals resist corrosion

Heavy-duty nickel-plated brass mounting straps resist corrosion; wide width design assures secure assembly



70530FRCR

One-piece rivetless copper-alloy power contacts reduce heat buildup and provide secure plug blade retention

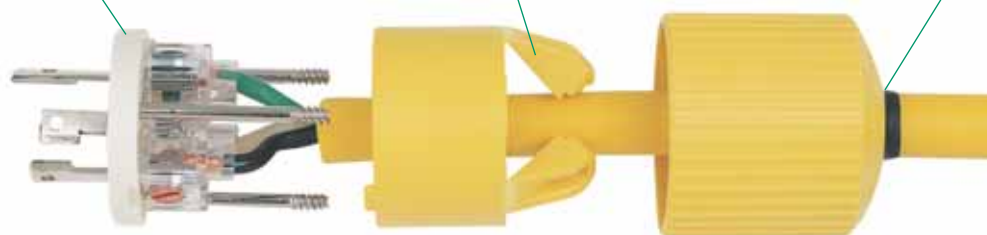


Locking Plug

See-through terminal cover allows visual inspection for proper wire terminations

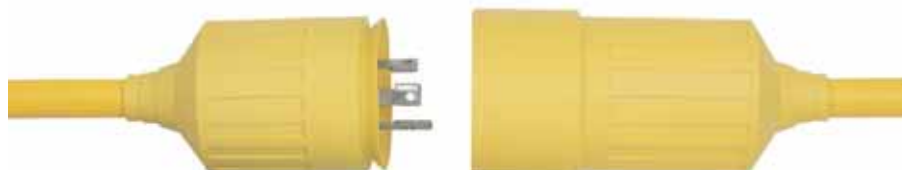
Universal non-metallic Triple Gripper® cord grip

Thermoplastic elastomer dust seal helps prevent moisture and foreign matter from entering wiring chamber



70530NPCR

Weather Protective Boots



70530NPCR Plug
72002BP Boot

70530NCCR Connector
72002BC Boot



Corrosion-Resistant Devices

Straight Blade; 15 and 20 Amp, 125 and 250V; 2-Pole 3-Wire



TECH·SPEC®

- Nickel plated copper-alloy metallic components
- Molded of impact/chemical resistant high visibility yellow nylon

Receptacle

- Stainless steel mounting screws
- Back wired; accepts up to #10 wire
- One-piece grounding system with built-in self-grounding strap

Plug/Connector

- Stainless steel assembly screws
- Triple Gripper® cord grip
- Pre-attached thermoplastic elastomer dust seal



5261CR



BRY5362CR



5266NCR



5269NCR

15 AND 20 AMP 125V RECEPTACLES, PLUGS AND CONNECTORS



NEMA 5-15
15A 125V



NEMA 5-20
20A 125V

Description	Catalog Number	
Single receptacle; yellow nylon; back and side wired	5261CR*	5361CR*
Duplex receptacle; yellow nylon; back and side wired	BRY5262CR	BRY5362CR
Duplex receptacle; brown nylon; back and side wired	BRY5262BCR	—
Plug; yellow nylon/polymer	5266NCR*	5366NCR
Connector; yellow nylon/polymer	5269NCR*	5369NCR*

Note: See page A-47 for information on weather protective boots.
See page Q-8 for horsepower ratings.
*Not Fed. Spec.

15 AND 20 AMP 250V RECEPTACLES



NEMA 6-15
15A 250V

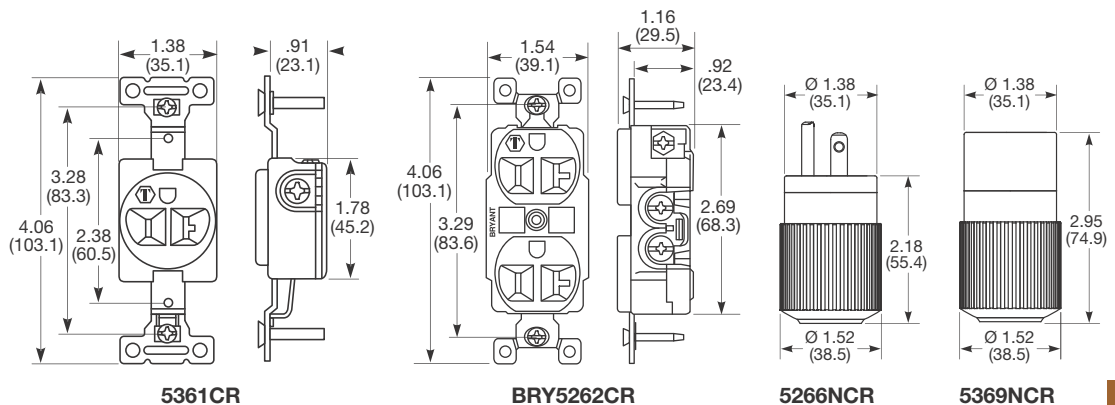


NEMA 6-20
20A 250V

Description	Catalog Number	
Duplex receptacle; yellow nylon; back and side wired	BRY5662CR	BRY5462CR
Single receptacle; yellow nylon; back and side wired	—	5461CR*

Note: See page A-47 for information on weather protective boots.
See page Q-8 for horsepower ratings.
*Not Fed. Spec.

PRODUCT DIMENSIONS Inches (mm)



Corrosion-Resistant Devices

Locking; 15 Amp 125V; 2-Pole 3-Wire Grounding



4710CR



4700DRCR



4721NPCR



4732NCCR



5200BP
5200BC

- Nickel plated copper-alloy metallic components
- Molded of impact/chemical resistant high visibility yellow nylon

Receptacle

- Stainless steel mounting screws
- Back and side wired; accepts up to #10 wire

Plug/Connector

- Stainless steel assembly screws
- Triple Gripper® cord grip
- Three captive assembly screws automatically tighten cord grip
- Individual wire pockets with clamp-type terminals



NEMA L5-15
15A 125V

15A 125V RECEPTACLES, PLUGS AND CONNECTORS Inches (mm)

Description	Cord Diameter	Catalog Number
Single receptacle; yellow nylon; back and side wired	—	4710CR*
Duplex receptacle; yellow thermoplastic; back wired; clamp-type terminals	—	4700DRCR
Plug; yellow nylon; back wired; clamp-type terminals	.300-.655 (7.6-16.6)	4721NPCR*
Connector; yellow nylon; back wired; clamp-type terminals	.300-.655 (7.6-16.6)	4732NCCR*

Note: See page Q-8 for horsepower ratings.

*Not Fed. Spec.

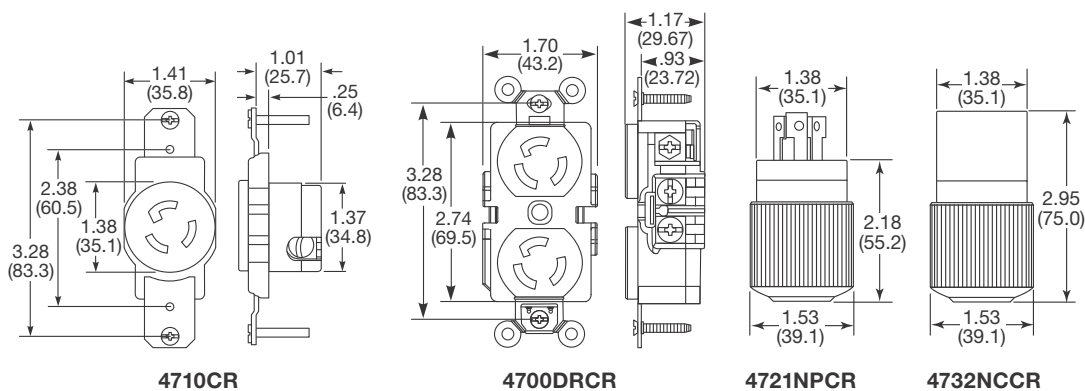
WEATHER PROTECTIVE BOOTS

Description	Catalog Number
Yellow neoprene boot for use with plug	5200BP**
Yellow neoprene boot for use with connector	5200BC**
Yellow neoprene sealing ring; seals connector	5200BSR**

Note: See page H-34 for information on weather protective boots.

**Boots are not UL Listed or CSA Certified.

PRODUCT DIMENSIONS Inches (mm)



Corrosion-Resistant Devices

Locking; 20 Amp 125V; 2-Pole 3-Wire Grounding



- Nickel plated copper-alloy metallic components
- Molded of impact/chemical resistant high visibility yellow nylon

Receptacle

- Stainless steel mounting screws
- Back wired; accepts up to #10 wire
- One-piece grounding system with built-in self-grounding strap

Plug/Connector

- Stainless steel assembly screws
- Triple Gripper® cord grip
- Pre-attached thermoplastic elastomer dust seal



70520FRCR



70520NPCR



70520NCCR

20A 125V RECEPTACLES, PLUGS AND CONNECTORS Inches (mm)



NEMA L5-20
20A 125V

Description	Cord Diameter	Catalog Number
Single flush receptacle; yellow nylon face; back or side wiring; clamp-type terminals	—	70520FRCR
Plug; yellow nylon; back wired; clamp-type terminals	.300-.950 (7.6-24.1)	70520NPCR*
Connector; yellow nylon; back wired; clamp-type terminals	.300-.950 (7.6-24.1)	70520NCCR

Note: See page Q-8 for horsepower ratings.
*Not Fed. Spec.

WEATHER PROTECTIVE BOOTS

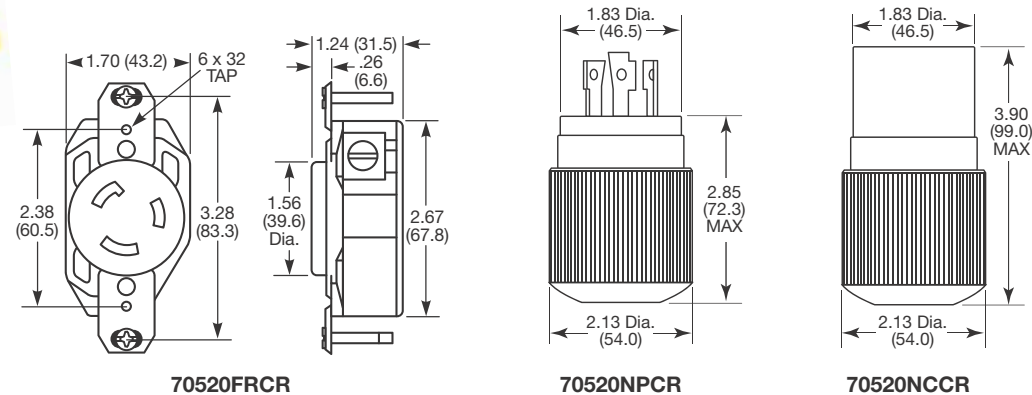
Description	Catalog Number
Yellow neoprene boot for use with plug	72002BP**
Yellow neoprene boot for use with connector	72002BC**
Yellow neoprene sealing ring; seals connector	72002BSR**
Yellow neoprene boot with threaded nonmetallic sealing ring; for use with 70520NCCR	72002M**

Note: See page H-35 for information on weather protective boots.
**Boots are not UL Listed or CSA Certified.

PRODUCT DIMENSIONS Inches (mm)



72002M



Corrosion-Resistant Devices

Locking; 30 Amp 125V; 2-Pole 3-Wire Grounding



70530FRCR

- Nickel plated copper-alloy metallic components
- Molded of impact/chemical resistant high visibility yellow nylon

Receptacle

- Stainless steel mounting screws
- Back and side wired; accepts up to #10 wire

Plug/Connector

- Stainless steel assembly screws
- Triple Gripper® cord grip
- Three captive assembly screws automatically tighten cord grip



NEMA L5-30
15A 125V

30A 125V RECEPTACLES, PLUGS AND CONNECTORS Inches (mm)

Description	Cord Diameter	Catalog Number
Single flush receptacle; yellow nylon face; back or side wiring; clamp-type terminals	—	70530FRCR
Plug; yellow nylon; clamp-type terminals; Triple Gripper cord grip	.300-.950 (7.6-24.1)	70530NPCR
Connector; yellow nylon; clamp-type terminals; Triple Gripper cord grip	.300-.950 (7.6-24.1)	70530NCCR
30A 125V pre-wired 25 ft. cord set 10 AWG; 3 conductor STO; yellow	—	530MCS25*

Note: See page Q-8 for horsepower ratings.
*Not Fed. Spec.



70530NPCR

WEATHER PROTECTIVE BOOTS

Description	Catalog Number
Yellow neoprene boot for use with plug	72002BP**
Yellow neoprene boot for use with connector	72002BC**
Yellow neoprene sealing ring; seals connector	72002BSR**
Yellow neoprene boot with threaded nonmetallic sealing ring; for use with 70530NCCR	72002M**

Note: See page H-35 for information on weather protective boots.
**Boots are not UL Listed or CSA Certified.



70530NCCR

PRODUCT DIMENSIONS Inches (mm)



72002BP

